

INSTRUCTION MANUAL

Model: WRB-60

Denver.eu

01/2024



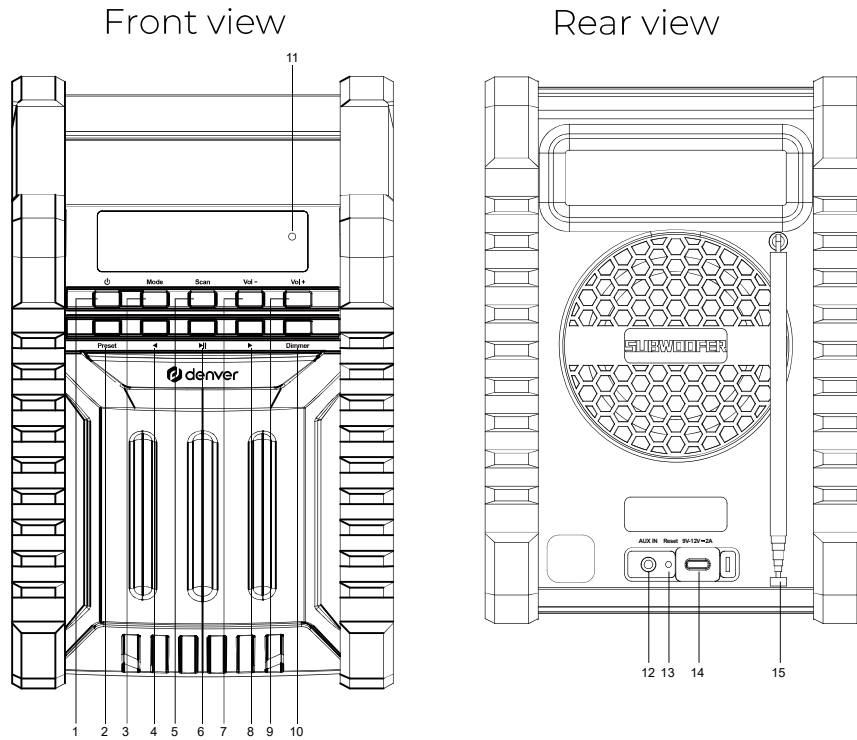
Safety information

Please read the safety instructions carefully before using the product for the first time and keep the instructions for future reference.

1. This product is not a toy. Keep it out of reach of children.
2. Keep product out of the reach of children and pets to avoid chewing and swallowing.
3. Product operating and storage temperature is from 0 degree Celsius to 40 degree Celsius. Under and over this temperature might affect the function.
4. Never open the product. Touching the inside electrics can cause electric shock. Repairs or service should only be performed by qualified personnel.
5. Do not expose to heat, water, moisture, direct sunlight!
6. Please protect your ears against loud volume. Loud volume can damage your ears and risk in hearing loss.
7. Bluetooth wireless technology operates within a range of about 10 m (30 feet). The maximum communication distance may vary depending on the presence of obstacles (people, metal objects, walls, etc.) or the electromagnetic environment.
8. Microwaves emitting from a Bluetooth device may affect the operation of electronic medical devices.
9. The unit is not waterproof. If water or foreign objects enter the unit, it may result in fire or electric shock. If water or a foreign object enters the unit, stop use immediately.
10. Do not use non original accessories together with the product as this can make the product functionality abnormal.

Warning: This product includes lithium polymer batteries.

PRODUCT OVERVIEW



Type-C Cable

16

| | |
|--|--|
| 1. Power button: Turn on/ off the unit | 9. Volume + button: Increase volume |
| 2. Preset button: Store station, listen to stored stations | 10. Dimmer button |
| 3. Mode button: Selecting operating mode | 11. LED light: Light up during charging |
| 4. Backward button: Left navigation in menu | 12. Aux in connector |
| 5. Scan button: Automatic station search for FM | 13. Reset : Reset pinhole |
| 6. Play / Pause button (with OK function) | 14. DC IN 9-12V 2A(Recommend to use the PD adaptor over 18W) |
| 7. Volume - button: Decrease volume | 15. Telescopic Antenna |
| 8. Forward button: Right navigation in menu | 16. Type-C cable |

BASIC OPERATION

Unwind the Type-C cable to its full length, connect the end of the cable to the DC IN socket at the rear of the unit and then connect to mains adaptor (we recommend using an 18W+ PD adaptor) and finally connect the device to a house hold mains socket. The unit can also run via the built-in 2000mAh lithium battery.

Fully extend the telescopic antenna.

Press the POWER button to turn the radio on. "Hi" is displayed and the radio enters FM mode.

FM RADIO

Press MODE button to select FM mode, press SCAN button to search for all available radio stations. Or press and hold the BACKWARD or FORWARD button to start a quick search backwards / forwards.

Manual Scan

To search manually for any radio station, briefly press the BACKWARD or FORWARD button to set the frequency until you see the desired station, each press will change the frequency by 0.1MHz.

FM display modes: Displays the station's transmission frequency.

Preset / store stations

1. FM radio can store up to 30 stations to the memory presets for quick and easy recall of your favourite stations.
2. To store a preset, you must first be listening to the station that you would like to save. Press and hold PRESET button for 3 seconds, then press BACKWARD or FORWARD button to select the preset number (01 ~ 30) and press PLAY / PAUSE button to confirm.

Recalling Stations

Once you have saved a station, you can:

1. Press PRESET, then press BACKWARD or FORWARD button to select your desired preset station's number.
2. Press PLAY/PAUSE button to recall the preset station.

BLUETOOTH

Press MODE button to select Bluetooth mode, "blue" appears on the display. Activate Bluetooth pairing mode of phone/tablet, search for WRB-60 and click to pair. It will have reminding sound after successful pairing, then play music via Bluetooth. During playback: adjust volume at WRB-60 or the connected device.

Briefly press the BACKWARD or FORWARD button to select the previous or next track.

Briefly press the PLAY/ PAUSE button to pause or play, or press and hold PLAY/ PAUSE button to disconnect or press PLAY/ PAUSE to reconnect Bluetooth.

AUX IN

Connect the AUX In socket to another audio device via an AUX cable (not included). Press MODE button to select Aux In mode.

Turn the VOLUME +/- button to adjust the volume control for your desired sound output level.

Technical Specifications

| | |
|---------------|--|
| Power supply | DC IN 9V-12V 2A (Recommend to use the PD adaptor over 18W) |
| Battery | 2000mAh Lithium battery |
| Playback time | 10 hours (50 % volume) |
| Charging time | 3.5 hours |
| Connections | DC IN TYPE-C, 3.5mm Aux in |

Please notice - All products are subject to change without any notice. We take reservations for errors and omissions in the manual.

ALL RIGHTS RESERVED, COPYRIGHT DENVER A/S



denver.eu



Electric and electronic equipment and included batteries contains materials, components and substances that can be hazardous to your health and the environment, if the waste material (discarded electric and electronic equipment and batteries) is not handled correctly.

Electric and electronic equipment and batteries is marked with the crossed out trash can symbol, seen above. This symbol signifies that electric and electronic equipment and batteries should not be disposed of with other household waste, but should be disposed of separately.

As the end user it is important that you submit your used batteries to the appropriate and designated facility. In this manner you make sure that the batteries are recycled in accordance with legislature and will not harm the environment.

All cities have established collection points, where electric and electronic equipment and batteries can either be submitted free of charge at recycling stations and other collection sites, or be collected from the households. Additional information is available at the technical department of your city.

Hereby, Denver A/S declares that the radio equipment type WRB-60 is in compliance with Directive 2014/53/EU. The full text of the EU declaration of conformity is available at the following internet address: denver.eu and then click the search ICON on topline of website. Write model number: WRB-60. Now enter product page, and RED directive is found under downloads/other downloads.
Operating Frequency Range: FM 87.5~108MHz; BT: 2402~2480MHz
Max Output Power: 18W

DENVER A/S

Omega 5A, Soeften

DK-8382 Hinnerup

Denmark

www.facebook.com/denver.eu

Contact

Nordics

Headquarter
Denver A/S
Omega 5A, Soeften
DK-8382 Hinnerup
Denmark

Phone: **+45 86 22 61 00**
(Push "1" for support)

E-Mail
For technical questions, please write to:
support.hq@denver.eu

For all other questions please write to:
contact.hq@denver.eu

Benelux

DENVER BENELUX B.V.
Barwoutswaarder 13C+D
3449 HE Woerden
The Netherlands

Phone: **0900-3437623**

E-Mail: **support.nl@denver.eu**

Spain/Portugal

DENVER SPAIN S.A
Ronda Augustes y Louis Lumiere, n° 23 – nave 16
Parque Tecnológico
46980 PATERNA
Valencia (Spain)

Spain
Phone: +34 960 046 883
Mail: **support.es@denver.eu**

Portugal:
Phone: **+35 1255 240 294**
E-Mail: **denver.service@satfiel.com**

Germany

Denver Germany GmbH Service
Max-Emanuel-Str. 4
94036 Passau

Phone: **+49 851 379 369 40**

E-Mail
support.de@denver.eu

Fairfixx GmbH
Repair and service
Rudolf-Diesel-Str. 3 TOR 2
53859 Niederkassel

(for TV, E-Mobility/Hoverboards/Balanceboards,
Smartphones & Tablets)

Tel.: **+49 851 379 369 69**
E-Mail: **denver@fairfixx.de**

Austria

Lurf Premium Service GmbH
Deutschstrasse 1
1230 Wien

Phone: **+43 1 904 3085**
E-Mail: **denver@lurfservice.at**

If your country is not listed above,
please write an email to
support@denver.eu



DENVER A/S
Omega 5A, Soeften
DK-8382 Hinnerup
Denmark

denver.eu
facebook.com/denver.eu



Version 1.1